



AUSTIN FIRE DEPARTMENT

6310 WILHELMINA DELCO DR. AUSTIN, TX 78752
P: 512.974.0160 E: FirePrevention@austintexas.gov

Access Control System Submittal Completeness Checklist

ALL ACCESS CONTROLL PLANS SHALL BE SUBMITTED TO AFD FOR REVIEW AND APPROVAL PRIOR TO INSTALLATION REGARDLESS OF THE TYPE OF ELECTRONIC LOCKS USED OR THE NUMBER OF DOORS ACCESS CONTROL IS PROVIDED ON. THIS CHECKLIST IS REQUIRED FOR ALL ACCESS CONTROL SYSTEM SUBMITTALS NEW OR REMODEL.

NOTES/INSTRUCTIONS

1. **The submittal shall be rejected if any required/applicable submittal checklist items are not provided.**
2. **Read** each item completely before checking yes or N/A, to be sure the item applies to your project in order to avoid unnecessary rejection or comments. **Note: There are some items where N/A is not an option, the item is required for all submittals, no exceptions.**
3. Access controls within privately leased or inaccessible spaces that are not part of the scope of work for the project **and** are not part of the commonly shared egress system/path are not required to be shown on the plans.
4. As a measure against tampering with stamped approved plans, handwritten notations, correction fluid, and/or taped-on notations on approved plans printed for inspection shall not be accepted by the inspector. Although no items can be added to the approved stamped plans, electronic locks on doors can be eliminated from the plans on site by the inspector if the electronic locking equipment has been removed from the scope of work/is no longer part of the project and are not installed at the time of the inspection.

ITEMS REQUIRED TO BE INCLUDED IN ACCESS CONTORL SYSTEM SUBMITTALS

Check Y (yes) item is complete or N/A if the item does not apply to the project.

Note: There are some items where N/A is not an option, the item is required for all submittals, no exceptions.

- Y 1) Completed Fire System Plan Review Form (Fee Form) – this can be found at the “AFD Plans Review” Web Page below, once on the page scroll down and click on “**Fire System Plan Review Form (Fee Form)**”:
<https://www.austintexas.gov/department/afd-plans-review>
- Y 2) All electronic submittal documents shall be submitted through AFD intake staff, instructions for how to do this can be found at the AFD Plans Review Web Page below and clicking on “**Contractor Box Set Up and Submittal Guidelines**” under **Fee Schedule and Calculation**’s.
<https://www.austintexas.gov/department/afd-plans-review>

PLAN REQUIREMENTS

- Y 3) **A complete set of floor plans** shall be submitted in a **PDF format that are unlocked and unrestricted** so they can be marked up by AFD reviewers. An electronic copy of the reviewed plans shall be returned to the customer when the review is completed.
****NOTE: In order for the contractor to protect their information/signatures/stamps on the plans and still provide an unlocked/unprotected PDF to AFD for review as required it is recommended that once the contractor completes their plans, the plan files are then saved, closed, then reopened and “PRINTED” to PDF, not saved or converted to PDF, “PRINTED”. This process will protect the information/signatures/stamps so nothing on the plans can be tampered with by others while still providing an unlocked/unrestricted PDF for AFD to review and markup if needed and then lock after AFD has stamped the plans so the AFD stamp and markups are protected and cannot be tampered with by others.
- Y N/A 4) **If project is phased,** a copy of the COA Building Department Approved Phasing Plan is attached.
- Y 5) **Plan Information** – plans shall show information for “access control equipment only”, no other equipment, notes, details, symbols for other equipment such as telecom, Wi-Fi, security cameras etc... shall be shown on the plans or plans shall be rejected.
- Y 6) **Plan Scale** – for **all plan sheets,** plans shall be at a scale such that all information on the plans is legible for inspectors when the approved/stamped plans are printed for inspection.

- Y
- 7) **Building/Project Information** – All plan sheets shall include the following:
- A title block that includes the correct project address, the name of the sheet (1st Floor Plan, 2nd Floor Plans, Door Wiring Diagrams, etc...), the installing contractor/company information, the designing contractor/company information (if it is different from the installing contractor), the sheet number and the applicable building codes for the project and the sprinkler and fire alarm system status of the space or floor where the work is being done, 100% sprinkled or not sprinkled, 100% fire alarm or no fire alarm.
 - **Building Permit number (BP) New or Remodel Construction** - If a project is associated with **NEW** Construction or **REMODEL** Construction **“it will”** have a **BP number** associated with it and the **BP number** shall be listed on the lower right hand corner of **“each”** plan sheet.
 - **Trades Permit number** - If only a trades permit is associated with the work such as an electrical permit (EP) then the EP number shall be listed on the lower righthand corner of **“each”** plan sheet with the following note:
 “There is only an Electrical Permit number associated with this plan.”
 - **PROJECT HAS NO BUILDING or TRADE PERMIT NUMBER** – See the Exception below AND on the Fire System Plan Review Form under “Project Information” section click the “no Building Permit – not required for this project”.

EXCEPTIONS:

- Y Check yes if following applies to your project regarding **Building Permit or Trade Permit numbers**. Access control **is only being added to “existing” doors** and there is no construction taking place, doors are not being replaced, no new walls are being built, no demolition is taking place, the floor plan for the space is not being changed, etc... **Therefore, there is no Building Permit or Trades Permit associated with the project and it is not required to be shown on the plans.** Provide the following note in the lower righthand corner of **“each”** plan sheet:
 “NO BP REQUIRED”

- Y
- 8) **Scope of Work** – a “Scope of Work Statement” shall be provided **on the cover sheet or the first page of the plan set** and it shall state the following; **“SCOPE OF WORK”** then a brief description of the scope of work for the project such as, “the installation of a new access control system including a new access control panel, door locks and equipment necessary for a code compliant access control system” or “the addition of access control on multiple doors on an existing access control system, to accommodate a new tenant finish out or remodel”, etc... something that clearly explains the work that is to be done under the project submittal.

- Y 9) **Floorplans** – for all projects (with or without a building permit number associated with them) provide floor plans showing the entire floor area for the project for each floor that access control is being provided on, showing all access control symbols and signage in the correct locations (ingress or egress sides of the door) using symbols from a symbols legend (see symbols legend item below for more details on symbols legend), show all walls, doors, door tags (see door tags item below for more details), room names, elevator lobbies, proposed and existing exit signs delineating the path of egress to the exit stairways. First floor plans shall include the exit discharge doors out of the building to the outside. **This means the “entire floor/area” for the tenant space or shell building associated with the project even if access control is only being put on a few doors throughout the floor so reviewers can verify how the system will impact the path of egress for occupants.**

NOTE: Door position switches and security cameras do not need to be shown on the floorplans.

- Y 10) **Symbols Legend** –At least one symbols legend shall be provided in the plan set, either on the Cover Sheet or the first sheet in the plan set, that includes **only symbols specific to the project**, boiler plate/catch all symbols legend are not acceptable and shall be rejected. The legend shall include a **unique** symbol for **each access control component or sign used at any door**, this includes the lock type, exit hardware, fire exit hardware, crash bar, touch sense bar, push buttons, releasing pull stations, signage, REX’s etc... **ANY** component necessary to make the door work correctly and be code compliant. The following information shall be provided for each symbol in the legend:

- The name of the part, the name of the manufacturer and the manufacturer’s part number.
- Each symbol that represents a specific electronic lock, magnetic lock, electric strike, electrified mortise lock, etc... shall clearly state in the legend if it is “FAIL SAFE” or “FAIL SECURE”. **If the same electronic lock/part** shall be used for **both** “FAIL SAFE” and “FAIL SECURE” door applications in the same project, then provide a separate symbol for the “fail safe” vs “fail secure” applications for the lock/part.

*****See Example symbols legend at end of checklist for examples of the above.**

NOTE: Door position switches and security cameras do not need to be shown in the symbol legend.

- Y N/A 11) **Fail-Safe Statement** – the following statement shall be written **on every floorplan** that has doors on it that are Fail-Safe:

“FAIL-SAFE STATEMENT: All wiring associated with all fail-safe electronic locking devices shall be installed in such a way, that removal of power from the electronic locking device or the access control panel, the failure of the circuit wiring for the electronic lock or the failure of any device in the circuit to the electronic lock shall cause the lock to unlock/fail open/fail-safe.”

NOTE: a Fail-Secure Statement is not required because any door that is not indicated at Fail-Safe shall be treated as a door that is Fail-Secure.

- Y N/A 12) **Fire Dept. Security Override Switch** – shall be provided if ANY of the following conditions exist for a project:
- Delayed Egress is provided on any door in the system, 2021 IBC Section 1010.2.13
 - Access control is provided on any egress door in an I-1 or I-2 occupancy, 2021 IBC Section 1010.2.14.
 - Access control is provided on any doors in a required exit stair, 2021 IBC Sec. 1010.2.7 as amended by the City of Austin.
 - Access control is provided on the main entry doors and/or any exterior entry doors **AND** the keys in the Knox Key Box for building access will not open/override the access control at the doors, this is an AFD requirement.

The Fire Dept. Security Override Switch shall consist of a simple toggle switch provided inside of a Knox Key Box with signage that states the following:

“AFD Security Override”

The Fire Dept. Security Override Switch shall be located next to the Knox Key Box that contains the building keys (typically at the main entrance to the building).

- Y 13) **Door Tags** – ANY door shown on the floor plans where access control is to be installed or access control is existing shall be called out using a cloud or box around the door and the access control symbols with a leader going to a door tag. Each door tag shall have a unique number for the door and no two doors shall have the same number. The accepted method of naming or identifying doors is with a basic number such as 1, 2, 4A, etc... instead of a name, such as main entry door, break room door etc... Each door tag shall state if the door is Free Egress at all times **AND** if the door is Fail Safe or Fail Secure **AND** the door’s fire rating in minutes if it is a **Fire Rated Door**. Plans shall show all proposed and existing access control within the floorplans so reviewers can verify that no combination of locked doors will be non- code compliant or block egress.
- ***See Example Lock Plan at end of checklist for examples of the above.**

NOTE: Existing Electronic Locks – shall be shown in gray and an electronic lock shall only be considered as “existing” if it was previously approved by the City of Austin and no changes have been made to the door since, otherwise it shall be treated as new.

- Y 14) **A Written Sequence of Operation** of how the electronic locking and unlocking sequences shall work **shall be provided for every door setup** in the project and it shall be provided **on the plans, this shall not be included in the Symbols Legend**. Sequences shall include **ALL** conditions that will both lock and unlock the door this includes all Fail-Secure and Fail-Safe functions. The doors the sequence applies to shall be identified in the sequence of operation using the door tag number(s) and can include a description if all the doors are the same if desired, such as “All stairwell doors, 2, 4,6,8 & 10” or “All elevator lobby doors, 1,3,5,7 & 9), etc... ”
- ***See Example Sequence of Operation at end of the checklist for examples of the above.**

NOTE: Manufacturer data sheets shall support the Sequence of Operation provided. Manufacturer sales/data sheets that explain nothing more than the benefits of the devices shall not be accepted for meeting this requirement.

- Y N/A 15) **Signage** – show all required signs in their appropriate locations on the plans (see example symbols legend drawing at the end of the checklist). Required signs include the following as applicable to the project:
- **ALL SIGNS** – shall comply with visual character requirements in ICC A117.1.
 - “PUSH TO EXIT” posted adjacent to a push button for deactivating electronic locking devices. 2021 IBC Sec 1010.2.12(4).
 - “PUSH UNTIL ALARM SOUNDS. DOOR CAN BE OPENED IN 15 SECONDS” (or 30 seconds if approved by the AFD). 2021 IBC 1010.2.13.1(6.1) *****For Delayed Egress doors that swing in the direction of egress**
 - “PULL UNTIL ALARM SOUNDS. DOOR CAN BE OPENED IN 15 SECONDS” (or 30 seconds if approved by the AFD). 2021 IBC 1010.2.13.1(6.2) *****For Delayed Egress doors that swing in the direction that is opposite the direction of egress**

- Y 16) **Access Control Equipment/Electronic Lock Wiring Details** – schematic wiring details shall be provided for each type of electronic door lock setup and shall clearly show each piece of equipment that is used for a given electronic door lock setup, such as a magnetic lock with exit hardware and card reader for example and how it is all wired/circuited together with the security control panel, power supplies and fire alarm system or other interfaces if applicable to work correctly and be code compliant. These details shall be provided on their own sheets in the plan set.
- ***See Example Electronic Lock Wiring Diagrams at end of the checklist for examples of the above.**

NOTE: Door position switches and security cameras do not need to be shown in the Wiring details.

- Y N/A 17) **Access Control Equipment/Electronic Lock Door Details** – **These are different than the wiring diagrams indicated above.** Door details shall be provided on their own sheets, separate from the floorplans and shall show the location of all the associated access control equipment, signage, etc..., at the door for the electronic locking arrangement that is used at that door.
- ***See Example Door Details at end of the checklist for examples of the above.**

NOTE: Door position switches and security cameras do not need to be shown in the door details.

DOCUMENTATION REQUIREMENTS

- Y 18) **Data Sheets/Specification Sheets** – manufacturer data sheets/manufacturer documentation/manufacturer installation sheets, shall be provided for all access control components shown at any door and **shall state on the manufacturer data sheet(s)**, the manufacturers name, the part number, mode of operation and **any UL listings required for the specific application.** (See UL Listings below for additional information)

- Y N/A 19) **UL Listings** – for any access control component that requires a specific UL listing for its application, manufacturer data sheets/manufacturer documentation/manufacturer installation sheets or UL documentation shall be provided **by the contractor**, that **clearly states on the data sheet, equipment documentation or UL documentation**, the required UL listing including the UL listing number. Statements on the manufacturer documentation such as “UL Listed” or “UL Compliant” shall not be accepted, it is required to state the **full UL listing number**. Often sales materials/sale data sheets do not show this information, if necessary, submit copies of the manufacturer installation sheets that come in the packaging with the parts, manufacturer installation sheets are required by UL to state the parts specific UL listing number on them if the part has been UL listed/certified for a specific application. Below are the most common, **but not all**, required UL listings for access control equipment based on the equipment application;
- ***SEE EXAMPLES OF ACCEPTABLE UL LISTING DOCUMENTATION AT THE END OF THE CHECKLIST, ALL DOCUMENTATION SHALL COMFORM TO ONE OF THE (2) EXAMPLES PROVIDED.**

Per 2021 IBC the following components are **required** to have the following UL listings

- Panic Hardware – UL 305 – 2021 IBC Sec 1010.2.9.3(1)
- Fire Exit Hardware – UL 10C and UL 305 – 2021 IBC Sec 1010.2.9.3(2)
- Door Hardware used for the release of electric locks – UL 294 – 2021 IBC Sec 1010.2.11(6)
- Delayed Egress Locking Systems – UL 294 – 2021 IBC Sec 1010.2.13.1(8).
- All equipment used to lock and unlock a fire rated door – UL 10C – 2021 IBC Sec 716.2.2.2 and 1010.2.9.3(2) and any other required ratings above depending on the application of the equipment.
- All access control power supplies and control panels – UL 294 Access Control System Units

ACCESS CONTROL/ELECTRICALLY LOCKED DOOR REQUIREMENTS

- Y 20) **ALL DOORS** – are shown/indicated to be **free egress at all times** from the egress side, 2021 IBC Sec 1010.2, unless one of the allowed exceptions is met per 2021 IBC Sections 1010.2.4, 1010.2.5, 1010.2.7, 1010.2.9 and 1010.2.14 items 8.1 and 8.2. **Any exception used shall be noted on the plans including the applicable IBC code year and code section or the IBC code year and code section as amended by the City of Austin.**
- Y 21) **Unlatching** – All doors unlatch by using not more than one single motion either in a linear or rotational direction to release the door. 2021 IBC 1010.2.1 – unless one of the exceptions in this section is met. **Any exception used shall be noted on the plans including the applicable IBC code year and code section.**
- Y N/A 22) **Fire Rated Doors** – **all fire rated doors shall remain latched** when the electronic locking device is unlocked/de-activated **by any means**, including a valid credential read. This means that when a valid credential read occurs, the door cannot just be pushed open, a motion of some kind such as turning a door handle or knob, etc... (see item 21 above) is required to “unlatch” the door to allow the occupant to open it and walk through it once it’s been unlocked – 2021 IBC Sec 716.2.6.1 and 716.2.6.2.

*****NOTE:** Plans shall indicate on the door tag the fire rating, in minutes, for all fire rated doors.

- Y N/A 23) **Closet Doors** – Closet doors (supply closets etc...) are free egress from inside the closet at all times – 2021 IBC Sec 1010.2.6.
- Y N/A 24) **Stairwell Doors** – All required interior exit stairwell doors are free egress and free ingress at all times unless one of the exceptions in the 2021 IBC Sec 1010.2.7 as Amended by the City of Austin is met. **Any exception used shall be noted on the plans including the applicable IBC code year and code section as amended by the City of Austin.**
- NOTE:** All required exit stairwell doors are required to be fire rated doors – see **Fire Rated Doors** above for additional requirements regarding latching.
- Y N/A 25) **Doors in Educational Occupancies – Group E, Group B Educational and Group I-4 daycare facilities as defined per the 2021 IBC Chapter 3 – Where egress doors are locked to keep intruders out of occupied rooms** in educational facilities indicated above, the plans provided in this submittal comply with the 2021 IBC Sec 1010.2.8.
- Y N/A 26) **Group H, A and E Occupancies as defined per 2021 IBC Chapter 3, Panic and Fire Exit Hardware** – all swinging doors in H occupancies and swinging doors serving rooms or spaces with an occupant load of 50 or more in a Group A or E occupancy are provided with only panic hardware or fire exit hardware to lock or latch the door – 2021 IBC Sec 1010.2.9 – UNLESS one of the exceptions in this section is met. **Any exception used shall be noted on the plans including the applicable IBC code section and code year.**
*****See Panic Hardware and Fire Exit Hardware below for more details.**
- Y N/A 27) **Refrigeration Machinery Rooms** larger than 1000 sq ft in size – the plans comply with 2021 IBC Sec. 1010.2.9.1.
- Y N/A 28) **Rooms with Electrical Equipment** – the plans comply with 2021 IBC Sec. 1010.2.9.2.
- Y N/A 29) **Panic and Fire Exit Hardware (also see Fire Rated Doors)** – All doors with panic hardware or fire exit hardware comply with the 2021 IBC Sec. 1010.2.9.3.
- Y N/A 30) **Balanced Doors** – All balanced doors on plans comply with the 2021 IBC Sec. 1010.2.9.4.
- Y N/A 31) **Monitored or Recorded Egress** – All doors on plans that record the use of the door comply with the 2021 IBC Sect 1010.2.10. The following note has been provided on the plans **exactly as it is shown below:**
 MONITORED or RECORDED EGRESS: This project uses devices at some doors to monitor or record egress, the devices used for this function do not control the door in any way, the devices are installed for egress monitoring/recording purposes only.
- Y N/A 32) **Door Hardware Release of Electrically Locked Egress Doors in any occupancy EXCEPT for Group H Occupancies as defined in the 2021 IBC Chapter 3**– Any egress doors on the plans that are electrically locked and are released/unlocked by any type of door hardware comply with the 2021 IBC Sec.1010.2.11.

- Y N/A 33) **Sensor Release of Electrically Locked Egress Doors in any occupancy EXCEPT for Group H Occupancies as defined in the 2021 IBC Chapter 3**– Any egress doors on plans that are electrically locked and are released/unlocked by a sensor comply with the 2021 IBC Sec.1010.2.12.
- Y N/A 34) **Delayed Egress Doors** – Any doors on plans utilizing delayed egress comply with the 2021 IBC Sec.1010.2.13 thru 1010.2.13.1. **Any exception used shall be noted on the plans including the applicable IBC code year and code section.**
- Y N/A 35) **Controlled Egress Doors in Group I-1 and I-2 Occupancies as defined in the 2021 IBC Chapter 3**– Any doors on plans that are electrically locked comply with the 2021 IBC Sec.1010.2.14 and it is clearly stated on the plans why the areas have these locking arrangements, based the 2021 IBC Sec. 1010.2.14. **Any exception used shall be noted on the plans including the applicable IBC code year and code section.**
- Y N/A 36) **Locking Arrangements in Buildings within a Correctional Facility – I-3 Occupancies as defined in the 2021 IBC Chapter 3** – Any doors on the plans meeting this criteria that are electrically locked, comply with the 2021 IBC Sec.1010.2.15.

RE-SUBMITTALS FOR REJECTED PLANS

In addition to all the above items, include the following additional items for all Re-submittals:

Note for re-submittals:

Provide a **new set of plans** that show any required revisions that were required to address the rejection comments and include the other information indicated below. **DO NOT** revise the previously stamped plans that have been stamped “Rejected” and turn those back in as the “new” plans, the submittal package shall be rejected – the purpose of this is to avoid confusion at time of test and inspection.

- Y 1) Completed Fire System Plan Review Form (Fee Form) – this can be found at the “AFD Plans Review” Web Page below, once on the page scroll down and click on “**Fire System Plan Review Form (Fee Form)**”:
<https://www.austintexas.gov/department/afd-plans-review>
- Y 2) A copy of the rejection review comments.
- Y 3) A comment response letter on the company letter head signed by the designer, briefly explaining how each review comment was addressed. When addressing comments, use the same comment number as what is shown on the rejection comments, for example, when responding to comment F1, the response should start with F1, the response to comment F2, should start with F2, etc... so the responses can be correlated to the rejection comments.
- Y 4) A copy of the previously rejected stamped plans.
- Y 5) For all re-submittal plans, all revisions to plans are clearly marked with a cloud and a triangular note corresponding to the revision number (revision 1, revision 2, etc...)
NOTE: Revision numbers are NOT the comment number, they represent the revision cycle, revision 1 would be the 1st re-submittal, revision 2 would be the 2nd re-submittal, the number of times that plans had to be revised. This includes all changes included with the re-submittal due to; AFD reviewer comments, new changes per the contractor, architect/owner, etc...

SUBMITTALS FOR PLAN REVISIONS AFTER PLANS HAVE ALREADY BEEN APPROVED

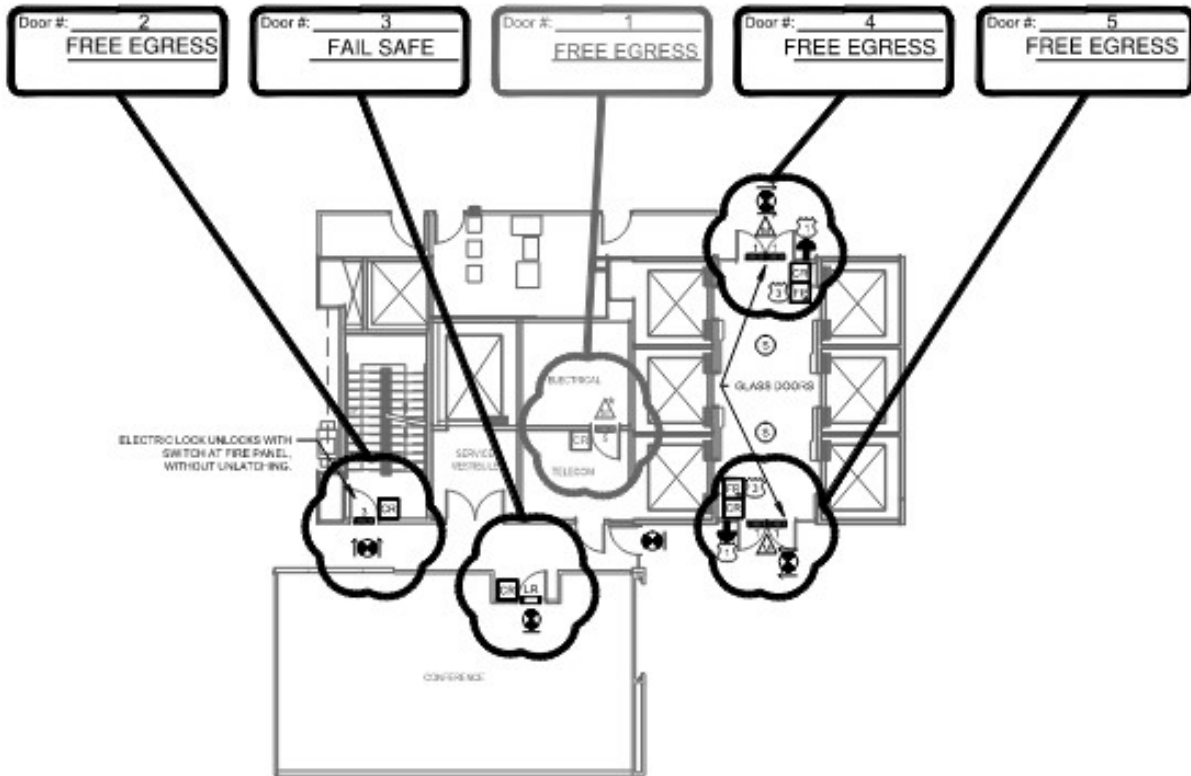
In addition to all the above items, include the following additional items for plan revision submittals:

- Y 1) Completed Fire System Plan Review Form (Fee Form) – this can be found at the “AFD Plans Review” Web Page below, once on the page scroll down and click on “**Fire System Plan Review Form (Fee Form)**”:
<https://www.austintexas.gov/department/afd-plans-review>
- Y 2) A copy of the previously AFD stamped approved plans.
- Y 3) A letter on the company letter head signed by the designer briefly explaining what changed on the project that has caused the need to submit a revision to the previously approved plans, new changes per the owner, architectural changes, etc...
- Y 4) For all revision plans, all revisions to plans are clearly marked with a cloud and a triangular note corresponding to the revision number (revision 1, revision 2, etc...)
NOTE: Revision numbers are NOT the comment number, they represent the revision cycle, revision 1 would be the 1st re-submittal, revision 2 would be the 2nd re-submittal, the number of time that plans had to be revised. This includes all changes included with the re-submittal due to; AFD reviewer comments, new changes per the contractor, architect/owner, etc...

EXAMPLE SYMBOLS LEGEND

ELECTRIC LOCK SYMBOLS			
	EXIT SIGN		
	FIRE PULL STATION - ACTIVATES FIRE ALARM SYSTEM		
	FIRE PULL STATION - ACTIVATES FIRE ALARM SYSTEM AND DIRECTLY DISENGAGES ELECTRIC LOCK (HARDWIRED TO ELECTRIC LOCK)		
	SMOKE DETECTOR		
	TWO-WAY COMMUNICATION DEVICE MONITORED 24/7 WITH UNLOCK SWITCH AT THE FIRE COMMAND CENTER. MONITORING COMPANY MUST HAVE THE CAPABILITY TO REMOTELY UNLOCK REENTRY DOOR(S).		
	SIGN #1 - READS: "PUSH TO OPEN DOOR" OR "PUSH TO EXIT" ADJACENT TO EXIT BUTTON. LETTERS WITH CONTRASTING BACKGROUND.		
	SIGN #3 - READS: "PUSH/PULL TO RELEASE DOOR IN AN EMERGENCY" ADJACENT TO FIRE PULL STATION. LETTERS RAISED 1/32" UPPER CASE, 5/8" MINIMUM HEIGHT ON CONTRASTING BACKGROUND WITH GRADE 2 BRAILLE AS PER TEXAS ACCESSIBILITY STANDARDS (TAS) OF THE ARCHITECTURAL BARRIERS ACT, ARTICLE 9102, TEXAS CIVIL STATUTES, EFFECTIVE APRIL 1, 1994.		
	SIGN #4 - READS: "PUSH UNTIL ALARM SOUNDS. DOOR CAN BE OPENED IN 15 SECONDS" WITHIN 12 INCHES OF RELEASE DEVICE.		
ELECTRIC LOCK HARDWARE SCHEDULE			
	<u>DEVICE</u>	<u>MAKE</u>	<u>MODEL</u>
	CARD READER	HID	SIGNO 910N
	INTERCOM	XXX	XXX SERIES
	EXIT BUTTON	RCI	900 SERIES
	MOTION DETECTOR	BOSCH	DS150i
	MOTION DETECTOR	BOSCH	DS150i
	MAG LOCK	RCI	MODEL 8310/8320 FAIL SAFE
	ELECTRIC STRIKE W/ KEYPAD	HES	MODEL 4500C FAIL SECURE
	ELECTRIC RIM STRIKE CRASHBAR	HES	MODEL 8804 FAIL SAFE
	ELECTRIC MORTISE W/ KEYPAD	SARGENT	MODEL 7800/8200 FAIL SECURE
	ELECTRIC HANDSET	ASSA ABLOY	RX 28 10G71 FAIL SAFE
	ELECTRIC STRIKE W/ CRASH BAR	HES	MODEL 9600 FAIL SECURE
	DELAY EGRESS EXIT BAR	VON DUPRIN	CHEX-IT FAIL SAFE
	EXIT BAR CRASH BAR	ASSA ABLOY	AD8504 FAIL SECURE

EXAMPLE LOCK PLAN



NOTE:

The partial floorplan is for illustrative purposes only. All plans submitted for an access control shall include the complete floorplan with all doors, room names, elevator lobbies and proposed or existing exit signs delineating the paths of egress travel to the stairways and exits.

EXAMPLE SEQUENCE OF OPERATION

The door in the example below comes from the door tags shown on the “Example Lock Plan” in this checklist.
NOTE: The same sequence can be used for multiple door numbers as long as they all have the “**EXACT**” same equipment at each door and all operate the “**EXACT**” same way.

Sequence of Operation for Door #2

Door unlocks upon any of the following conditions, a valid Card Read, Fire Alarm Activation, Sprinkler Activation, Activation of the Fire Department Security Override Switch and Power Loss to the building or security system.

Door is Free Egress at all times using the door handle.

Door is Fail Safe – see Fail Safe Statement on the plans for details.

Below is an Example if the same door were Fail Secure instead of Fail Safe:

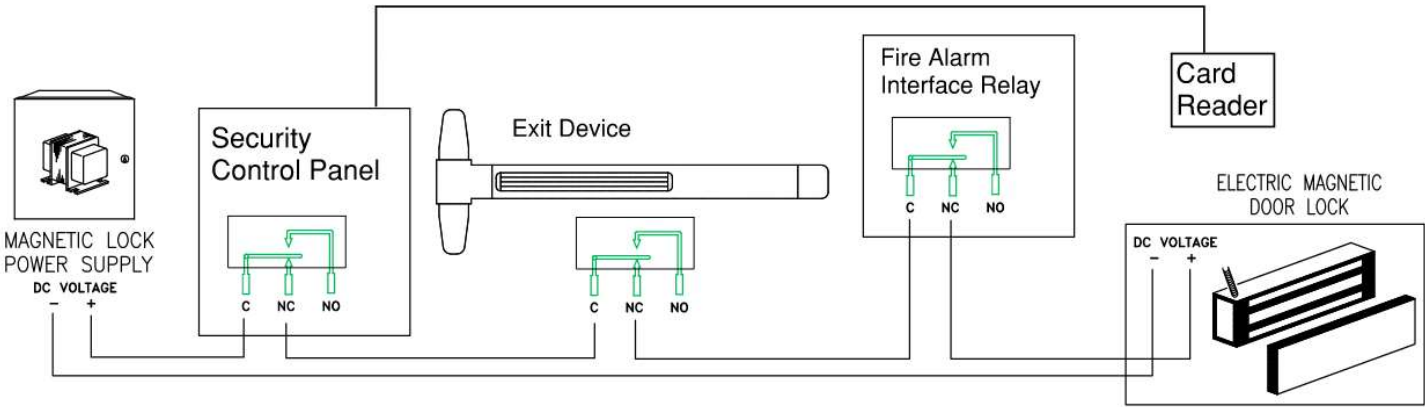
Sequence of Operation for Door #2

Door unlocks upon any of the following conditions, a valid Card Read or Activation of the Fire Department Security Override Switch.

Door is Free Egress at all times using the door handle.

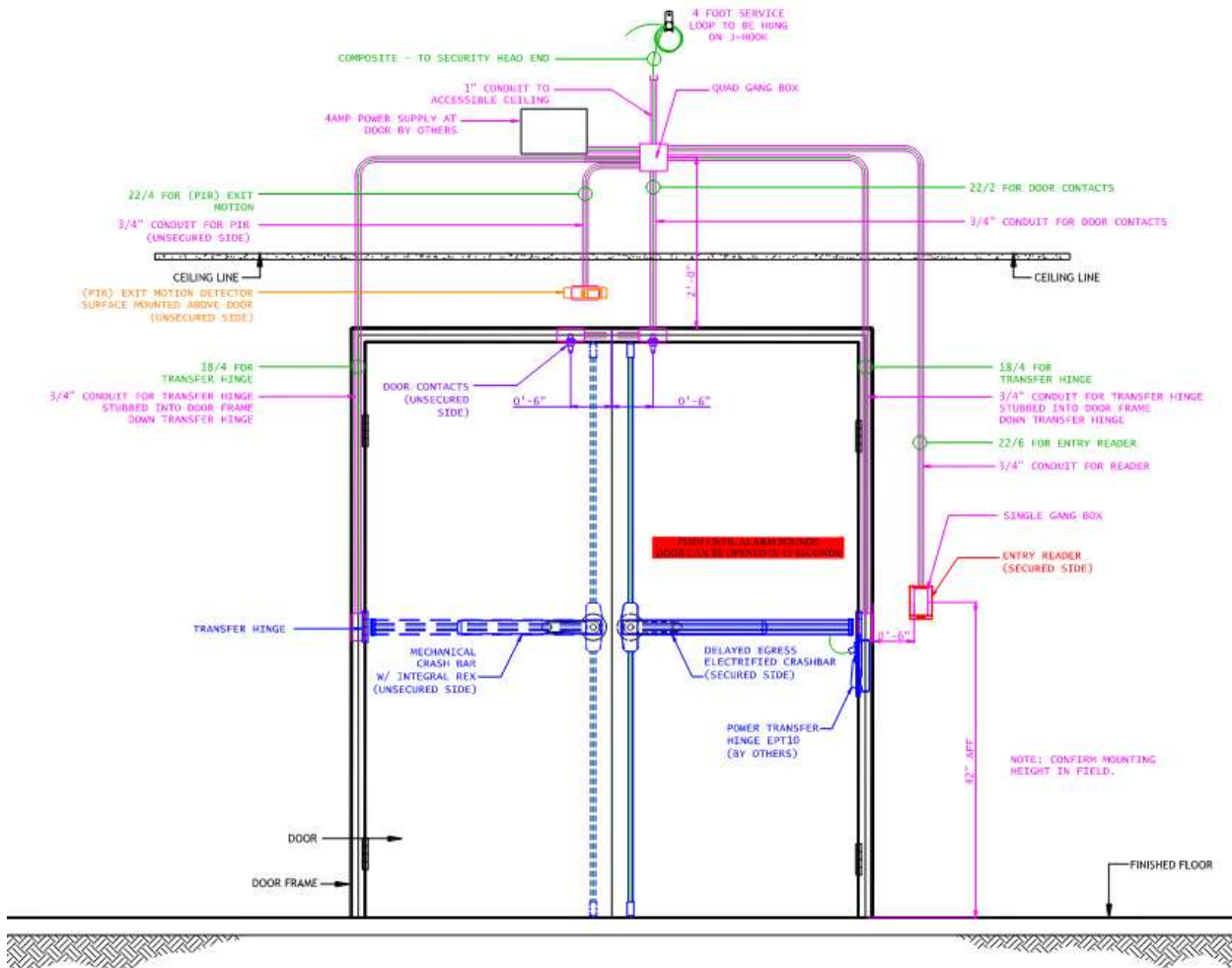
Door is Fail Secure and shall remain locked upon any of the following conditions, power loss to the building or security system, Fire Alarm Activation or Sprinkler Activation.

EXAMPLE ELECTRONIC LOCK WIRING DETAILS



EXAMPLE DOOR DETAILS

NOTE: The conduits and circuits shown in the example below are not required, only the locations for the associated access control equipment, signage, etc... are required to be identified and shown for the door.



D3/4 DOUBLE DOOR
 CR, DC, ELEC CB W/ INTEGRATED DELAYED EGRESS, PIR

EXAMPLE OF ACCEPTABLE UL DOCUMENTATION

Manufacturer Data Sheet that state the UL listing number on it, it can also be the installation sheet or the installation manual for the part as long as it clearly states the manufacturer name, the part number that is being used and the required UL listing number(s) for the part based on how the part is being used in the project.

8888/8810 Multi-Function Rim Exit Device and Trims

80 Series

SARGENT
ASSA ABLOY



Shows Part numbers

8888/8810 Multi-Function exit device and trim

- Device & trim sold separately; easy to mix and match
- Designed for standard width stile applications on wood and metal doors
- 7 functions available as determined by the trim function
- 3 trim designs available:
 - 700 ET Controls
 - 88 Lever & Rose trim
 - Pull trims
- Single and double door applications with a mullion

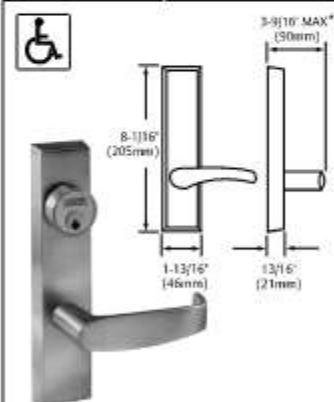
The 8888/8810 Rim Exit Device

- ANSI/BHMA A156.3 - Grade 1
 - UL10C (Fire) and UL305 (Panic) Listed
 - Device is non-handed
 - ANSI/BHMA architectural finishes
 - Four standard sizes available
- To Order: Specify options, 8888 or 8810, Rail Size and Finish
Example: 12-19-8888F x 32D

Specifications

Door Type	Wood or metal Doors
Door Thickness	1-3/4" (44mm) minimum thickness. For doors over 1-3/4" to 2-1/4" thick, specify thickness and order as 31-
Mounting	Supplied standard Available with Shows "specific" UL listing number(s)
Chassis Cover	Cold drawn steel BHMA Finishes
Chassis	Nonferrous alloy (Panic) Ferrous alloy (Fire Rated)
Rails	Roll Formed Stainless Steel, Brass or Bronze with ANSI/BHMA Finishes
Hand	Non-handed
Dogging Feature (Non 12- only)	Hex key dogging standard on non fire rated devices; specify 16- for cylinder dogging (#41 cylinder supplied)
Latchbolt	Stainless steel, 3/4" (19mm) throw
Strike	649 Strike supplied standard for panic & fire rated openings
Fire Exit Hardware	See chart - Page 6

700 Series ET Control



The 700 Series ET Control is sold separately from the exit device and can be used with 8888 & 8810 Exit Device. The trim is non handed and is through-bolted to the chassis for greater security and durability. Available in 7 functions and SARGENT Studio, Coastal and standard lever designs to accommodate most requirements.

- ANSI/BHMA Finishes
- Easy operating lever handle allows convenient one hand operation
- ET trim is not available in 32 or 32D
- Stainless steel levers are available

Rail Chart

- Rails are available in 4 sizes, use door width to determine size needed.
- Rails will be factory cut to size if door width is supplied or can be cut in the field

Stock Size	Door Widths	Remarks
E	24" to 32" (61cm to 81cm)	No cutting required for 32" (81cm) door
F	33" to 36" (84cm to 91cm)	No cutting required for 36" (91cm) door
J	37" to 42" (94cm to 107cm)	No cutting required for 42" (107cm) door
G	43" to 48" (110cm to 122cm)	No cutting required for 48" (122cm) door

88 Lever and Rose Trim

LB
ROSE: L
LEVER: B

- The 88 Lever and Rose Trim is sold separately from the exit device and can be used with 8888 & 8810 Exit Device.
- The trim is non handed and is through-bolted to the chassis for greater security and durability. Available in 4 functions and 4 lever designs to accommodate most requirements.

688 Trim Retrofit Kit

- 688 Trim Retrofit kit allows an 8810/8888 rim exit with an ET to replace Von Duprin's 98/99 series exit with trim with minimal door prep.
- Order as: 688 Kit

649 Strike

- Supplied standard for panic & fire rated openings
- Surface applied
- Black nylon coated



1-800-727-5477 • www.sargentlock.com

Experience a safer and more open world

EXAMPLE OF ACCEPTABLE UL DOCUMENTATION

UL documentation from the UL Product IQ website – the documentation shall provide ALL the information indicated in the two page example below for Von Duprin Exit Hardware that is UL 294 Listed.

UL Product IQ Website Address: <https://iq.ulprospector.com/info/index.html>

The screenshot displays the UL Product IQ website interface. The main content area is titled "[Exit Signs and Exit Appliances] Special Locking Arrangements". The page is organized into several sections: USE AND INSTALLATION, PRODUCT IDENTITY, ADDITIONAL INFORMATION, REQUIREMENTS, UL MARK, and Alternate UL Mark. Red arrows point from text annotations to specific parts of the page: one points to the title, another to the 'REQUIREMENTS' section where 'ANSI/UL 294' is mentioned, and a third points to the 'UL MARK' section. The left sidebar contains navigation options like 'View UL Certified Products' and 'Guide Info (FWAX)'. The top navigation bar includes 'SEARCH', 'MY SEARCHES', 'MY TAGS', 'JODY', and the UL Solutions logo.

Annotations:

- It explains what UL uses this category for, to analyze/evaluate "Exit Signs and Exit Appliances" which includes exit hardware
- It shows the required UL listing number that associated with this category that should be on the product and in the product documentation
- It explains the UL mark requirement

***See next page for continuation of example UL documentation.

EXAMPLE OF ACCEPTABLE UL DOCUMENTATION CONTINUED

This is the UL category

The screenshot shows the UL Product IQ interface for the document 'FWAX.SA8170 - Special Locking Arrangements'. The left sidebar contains navigation options like 'DETAILS', 'RESOURCES', and 'TAGS'. The main content area displays the document title and a list of manufacturers and their part numbers. Red annotations highlight key information:

- A red arrow points to the 'UL Category: FWAX Q' in the sidebar, with the text 'This is the UL category' above it.
- A red arrow points to the manufacturer 'VON DUPRIN L L C' in the document description, with the text 'It lists a specific manufacturer - VON DUPRIN LLC' next to it.
- Two red arrows point to the 'Special locking arrangements accessories' section, which lists model numbers like 'DE5202#' and 'DE5300#'. The text 'FYI - very important statement from UL' is placed to the left, and 'It lists specific manufacturer part numbers that were approved under this category by testing them at UL laboratories and are UL 294 Listed/Certified.' is placed to the right.
- A 'Last Updated on 2020-08-28' timestamp is visible at the bottom right of the document content.

Document Company Information

Special Locking Arrangements

[See General Information for Special Locking Arrangements](#)

VON DUPRIN L L C SA8170
2720 TOBEY DR.
INDIANAPOLIS, IN 46219 USA

Special locking arrangements. Model(s) CX-9847(-LBR)#, CX-9949WDC(-LBU)#, CX3327A(-LBR)#, CX3347A(-LBR)#, CX3348A(-LBR)#, CX3349A(-LBU)#, CX3350A(-LBU)#, CX3350AWDC(-LBU)#, CX33A#, CX3527A(-LBR)#, CX3547A(-LBR)#, CX3548A(-LBR)#, CX3549A(-LBU)#, CX3550A(-LBU)#, CX3550AWDC(-LBU)#, CX35A#, CX98#, CX9827#, CX9827(-LBR)#, CX9847#, CX9847WDC#, CX9847WDC(-LBR)#, CX9848#, CX9848(-LBU)#, CX9849#, CX9849(-LBU)#, CX9849WDC#, CX9849WDC(-LBU)#, CX9850#, CX9850(-LBU)#, CX9850WDC#, CX9850WDC(-LBU)#, CX9857#, CX9875#, CX99#, CX9927#, CX9927(-LBR)#, CX9947#, CX9947(-LBR)#, CX9947WDC#, CX9947WDC(-LBR)#, CX9948#, CX9948(-LBR)#, CX9949#, CX9949(-LBU)#, CX9949WDC#, CX9950#, CX9950(-LBU)#, CX9950WDC#, CX9950WDC(-LBU)#, CX9957#, CX9975#, CXPCB-15, CXPCB-15 BOCA#, CXPCB-30, CXXP98#, CXXP99#, RCM99#

Special locking arrangements accessories. Model(s) DE5202#, DE5300#

- Suitable for BOCA applications.

The appearance of a company's name or product in this database does not in itself assure that products so identified have been manufactured under UL Solutions' Follow - Up Service. Only those products bearing the UL Mark should be considered to be Certified and covered under UL Solutions' Follow - Up Service. Always look for the Mark on the product.

UL Solutions permits the reproduction of the material contained in Product IQ subject to the following conditions: 1. The Guide Information, Assemblies, Constructions, Designs, Systems, and/or Certifications (Files) must be presented in their entirety and in a non-misleading manner, without any manipulation of the data (or drawings). 2. The statement "Reprinted from Product IQ with permission from UL Solutions" must appear adjacent to the extracted material. In addition, the reprinted material must include a copyright notice in the following format: "© 2022 UL LLC."